

# Technical specification Transformer

SGB Czech Trafo s.r.o.

Type: DTTHZ2N

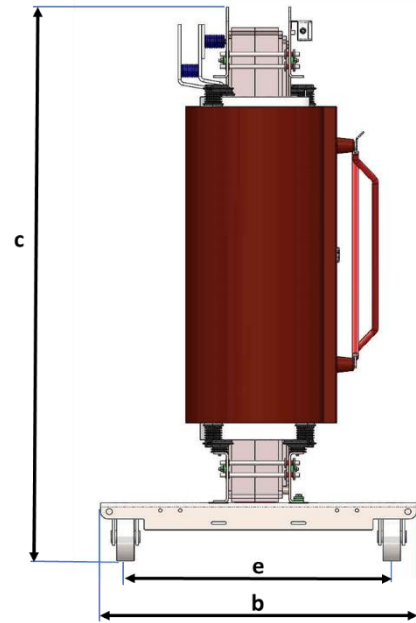
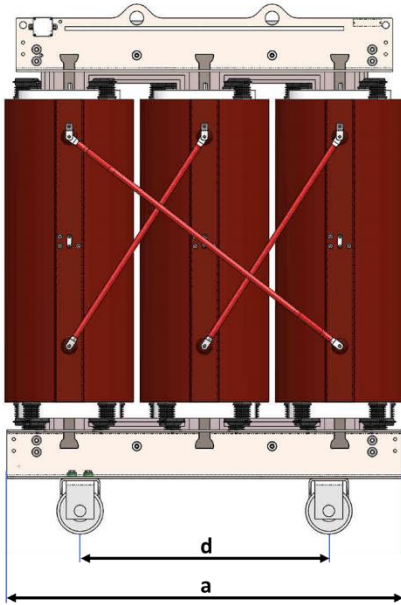
	HV	LV		
Technical Data	Rated Capacity AN	800 kVA	800 kVA	
	Voltage	22000 V	420 V	
	Vector group	D	yn11	
	Tappings	+2x2,5%		
	Tappings	-2x2,5%		
	Winding material	Al	Al	
	Insulation class	F	F	
	Type of insulation	Casted	Prepreg	
	Relations impedance (Uk)		HV – LV	
	Impedance voltage Uk		6 %	
Tolerance	+/- 10 %			
Test level	Average temperature rise	100 K	100 K	
	Highest voltage of equipment (Um)	24 kV	1,1 kV	
	Alternating voltage	50 kV	3 kV	
	BIL	125 kV	0 kV	
Losses	No load losses	1170 W	0 % tolerance Ecodesign Directive 2009/125/EC - Tier 2	
	Load losses at 120°C	8000 W	0 % tolerance	
Technical Data II	Design by norm	IEC 60076-11:2018		
	Number of phases	3		
	Frequency	50 Hz		
	LWA/LPA from 1 m	63 /50 dB(A)	0 dB(A) tolerance	
	Protection degree Transformer	IP00		
	Hardly flammable self-extinguishing	Yes		
	Surge voltage - / short circuit proofed	Yes		
	Short circuit duration	2 s	Short-circuit power	500 MVA
	Fire-/Climatic-/Fire-/Environment class	F1/C2/E2		
	Ambient temperature min/max	-25/40°C		
Max. Installation altitude	1000 m			

Transformer

Weight: 2350 kg  
a 1500 mm

b 900 mm  
c 1800 mm

d 670 mm  
e 670 mm



- Routine testing IEC 60076-11:2018 each transformer:
- Winding resistance
  - Voltage ratio and phase displacement
  - Impedance of the load and losses
  - No load losses and no-load current
  - Separate Source AC withstand voltage test
  - Induced AC withstand voltage test
  - Insulation resistance
  - Partial discharge test